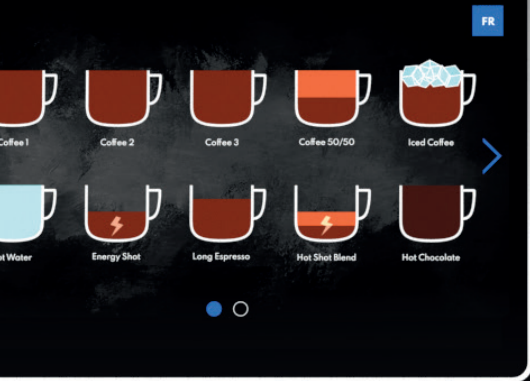


**SYMBOL**



**THE WAY  
YOU WANT IT**

**ANY WAY  
YOU WANT IT**

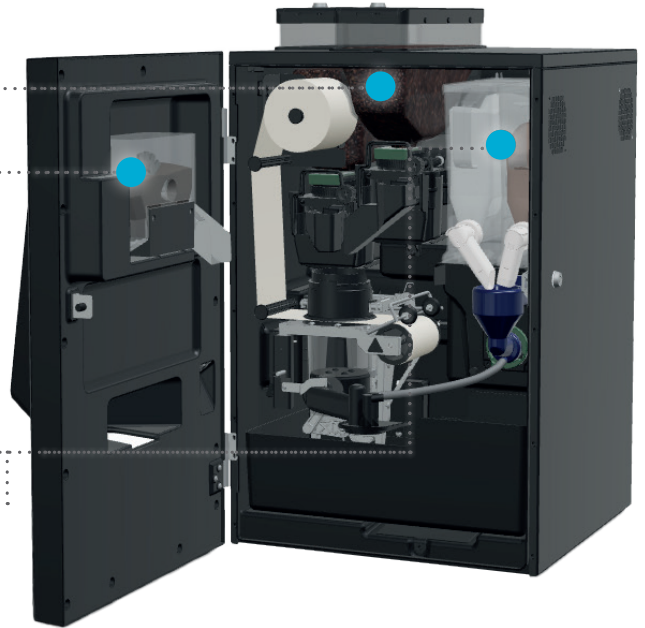
## ANY WAY YOU WANT IT.

### CREATE YOUR SYMBOL

Configure your own layout and create a machine tailored to your exact needs.

#### MODULAR CONFIGURATIONS

- 1 or 2 whole bean coffees .....
- 1, 2 or 3 bean hopper extensions\* .....
- Optional ground coffee .....
- 1 or 2 soluble ingredients .....
- Vanilla, Hot Chocolate, Milk or Chai .....
- Optional cellular connectivity



### TECHNOLOGY & DESIGN

- 10" HD touch screen
- Burr grinder for each bean hopper
- Compatible with Sophia
- Sophia Touchless Solution contactless ordering
- ADA compliant ordering

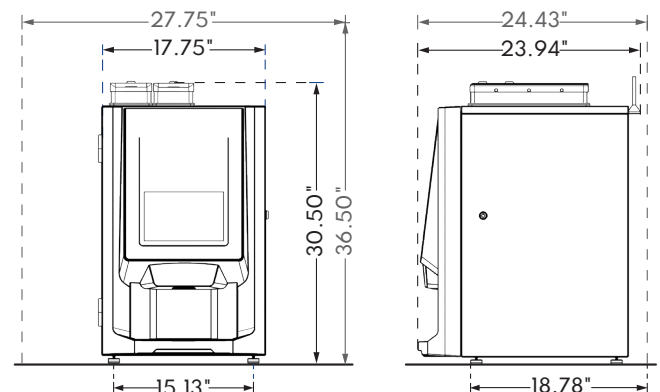
### SPECIFICATIONS

Weight	Up to 105 lb
Electricity	120 VAC, 15 A, 60 Hz
Water Services	Plumbed or bottled
Water Tank Capacity	0.74 gal
Bean Hopper Capacity**	
1-Bean Model	5.0 lb
2-Bean Model	2.5 lb & 3.0 lb
Ground Coffee Canister Capacity**	0.9 lb
Soluble Canisters Capacity*	3.0 lb each
Cup Sizes	3 to 16 oz
Brew Strengths	3
Branding Options	Video
Screen Customization Capabilities	Yes

\*\*Quantity of canisters and recipes available varies depending on the model.

### ACCESSORIES & OPTIONS

- Hopper extensions\*
- Cellular modem
- Cup & condiment dispenser
- Wood base cabinets
- Chute kit for coffee waste
- MDB compatible payment systems



\*2-Bean Model Only